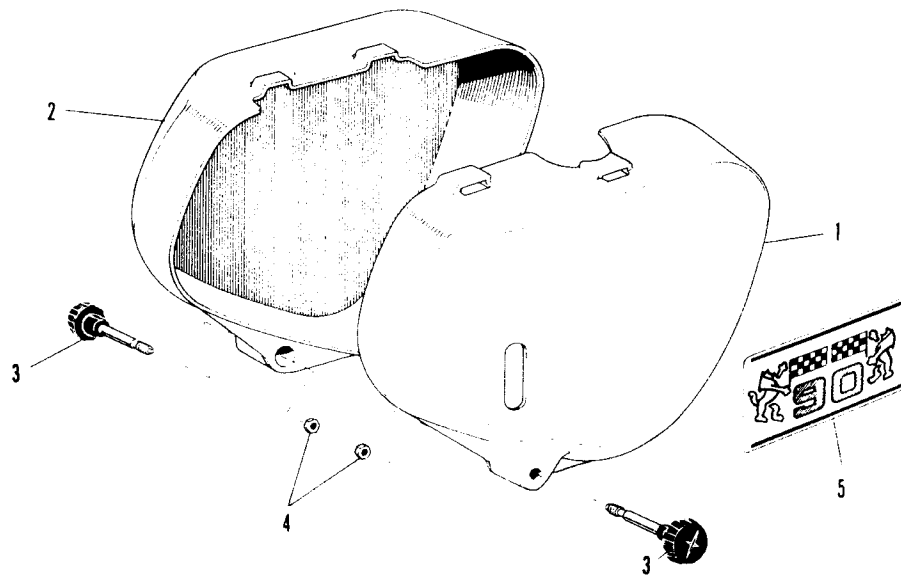
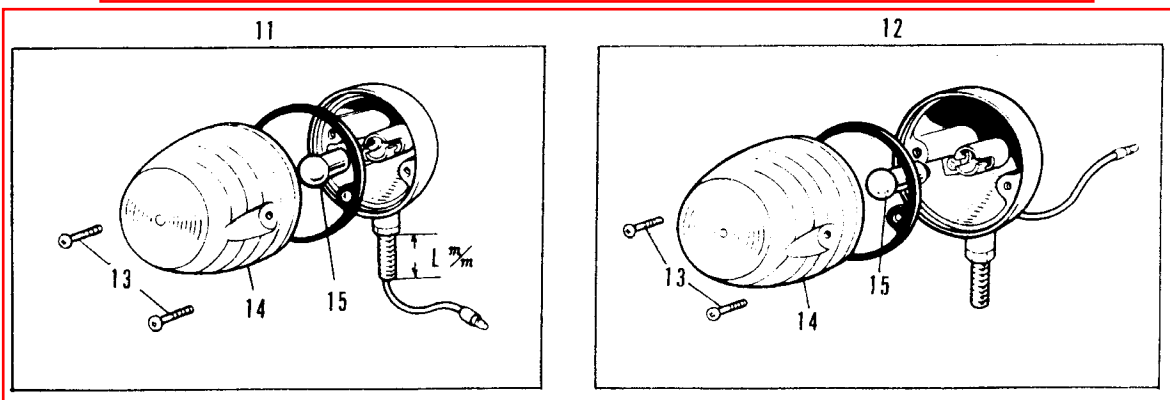
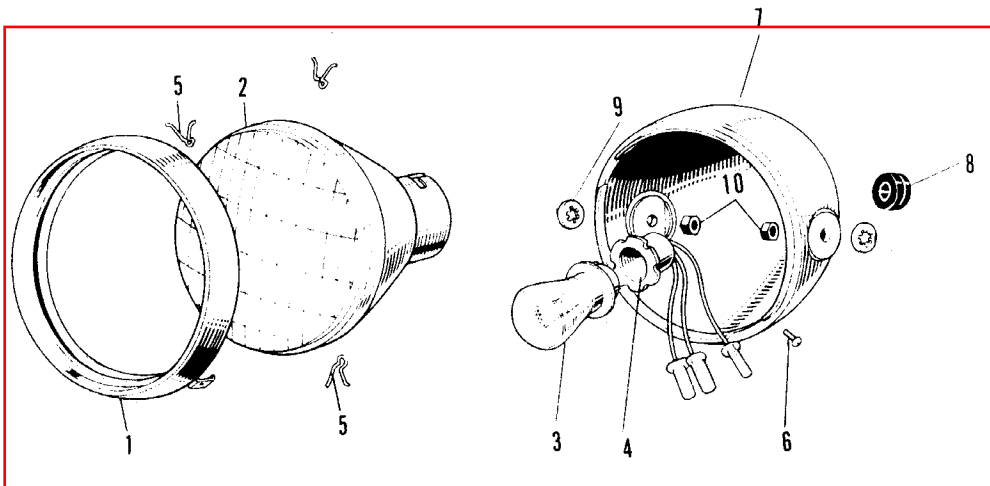







25. Side Covers, Chain Cover



26. Electrical Equipment (1)



-  — 17
-  — 16
-  — 18

-  — 17
-  — 16

25. Side Covers, Chain Cover

Ref. No.	New Part No.	Old Part No.	Part Name	Quantity		Remarks
				GA-1A	GA-2A	
1 35.85	36001-026-17		COVER—L.H. side, Pastel White	1	1	
2 35.85	36007-023-17		COVER—R.H. side, Pastel White	1	1	
3 7:-	92077-019		KNOB	2	2	
4 - 3c	312B0600		NUT, 6 m/m	2	2	
5 6.50	56015-026		EMBLEM	2	2	

26. Electrical Equipment (1)

Ref. No.	New Part No.	Old Part No.	Part Name	Quantity		Remarks
				GA-1A	GA-2A	
1 ~ 6	23004-023		LAMP UNIT—head	1	1	
1 27:-	23006-021 ⁶⁴³	725 610-7112	RIM—head lamp	1	1	
2	23007-010	725 610-7113	LENS UNIT—head lamp	1	1	
3	92069-031	C2320-7104	BULB—head lamp (6V 25/25W)	1	1	
4	23008-009	725 610-7115	SOCKET—head lamp	1	1	
5	23009-005	725 610-7121	CLAMP—head lamp lens unit	3	3	
6	222E0508A		SCREW—oval countersunk head, 5 x 8	1	1	I.S.O. Thread
768.15	23005-009-25		BODY—head lamp, Melamine Candytone Red	1	1	
68.15	23005-009-45		BODY—head lamp, Pearl Candytone Blue	1	1	
8 1.20	23023-007	725 610-7146	GROMMET—wiring harness	2	2	
9	463H1000		WASHER—lock, 10 m/m	2	2	
10	92016-027	725 610-7153	NUT, 10 m/m	2	2	
11	23040-027		LAMP—front turn signal	2	2	L=27 m/m
12	23043 018		LAMP—rear turn signal	2	2	L=12 m/m
13	222B0315A		SCREW—oval countersunk head, 3 x 15	8	8	I.S.O. Thread
14 9:-	23048-011	725 610-7311	LENS—turn signal lamp	4	4	
15 -	92069-042	725 610-7314	BULB, 6V 8W	4	4	
16 - 30	461F1000		WASHER—spring, 10 m/m	4	4	
17 - 50	315B1000		NUT, 10 m/m	4	4	
18 - 30	410B1000		WASHER—plain, 10 m/m	2	2	